

## Stiffener End Detail List



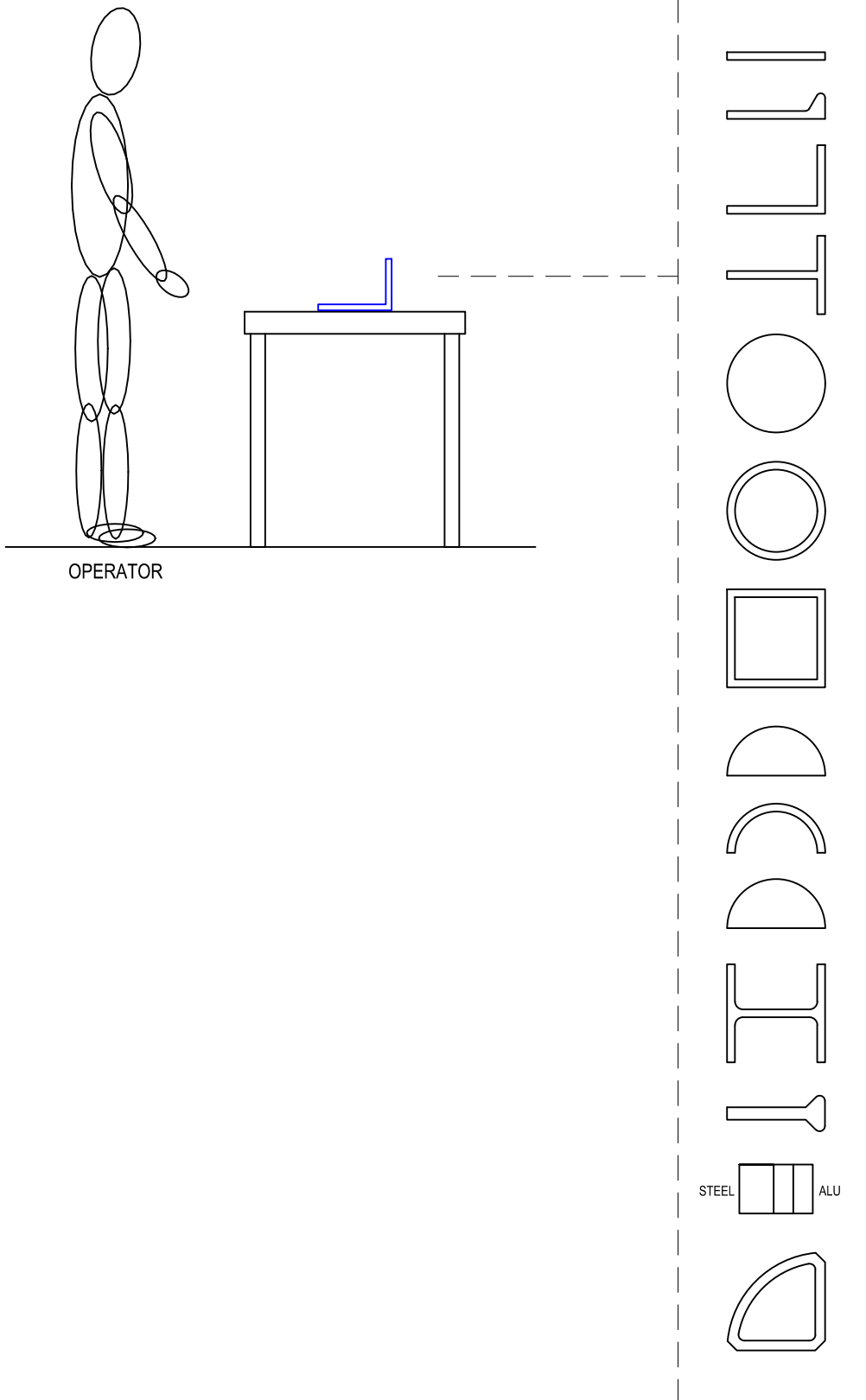
MasterShip Services BV  
Croy 18  
5653 LD, Eindhoven  
The Netherlands  
T: +31 40 707 3554  
E: [info@mastership.nl](mailto:info@mastership.nl)  
W: [www.mastership.nl](http://www.mastership.nl)

# Production instructions

When producing stiffeners make sure:

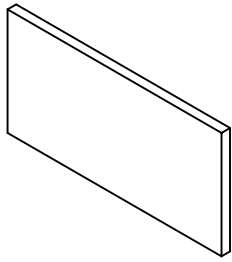
- The bottom of the stiffener is towards the operator.
- The flange / bulb is directed upwards.

(see picture below)

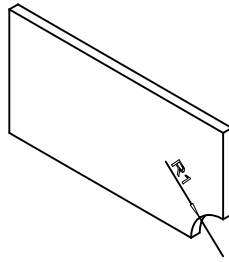


# Stiffener End Details

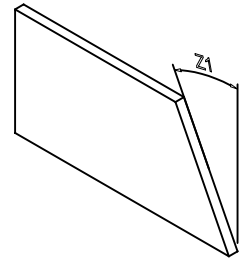
Flatbar



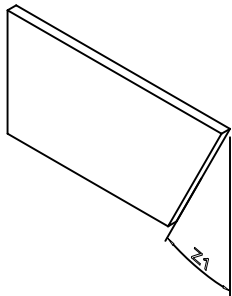
End detail code: 0101



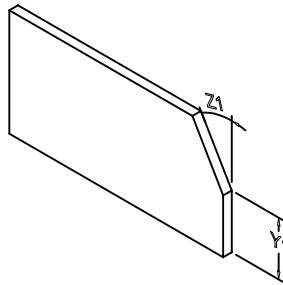
End detail code: 0102



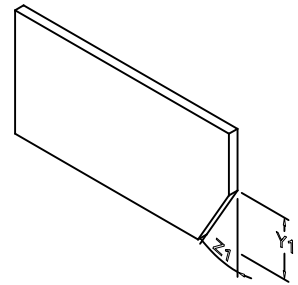
End detail code: 0103



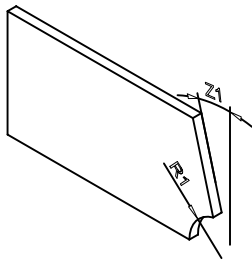
End detail code: 0104



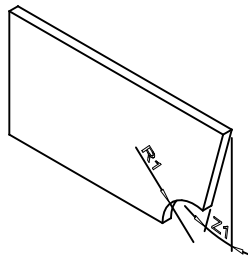
End detail code: 0105



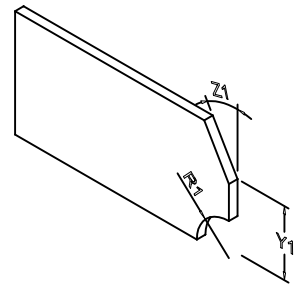
End detail code: 0106



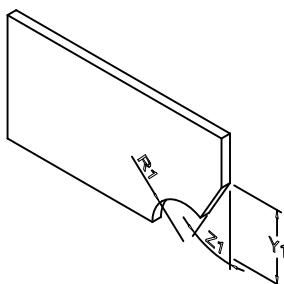
End detail code: 0107



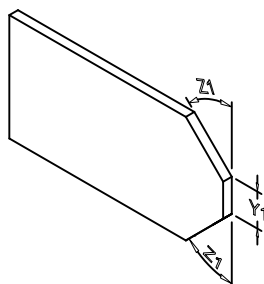
End detail code: 0108



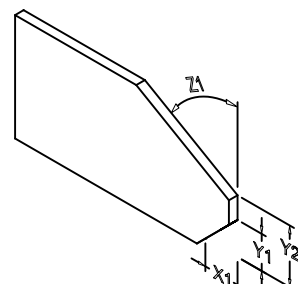
End detail code: 0109



End detail code: 0110

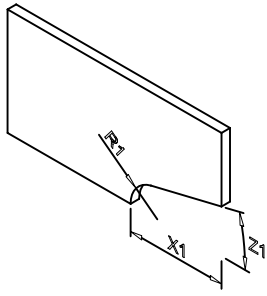


End detail code: 0111

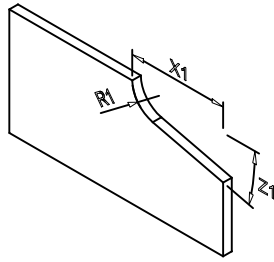


End detail code: 0112

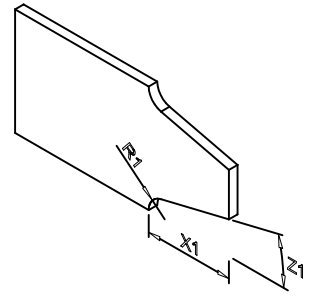
# Stiffener End Details



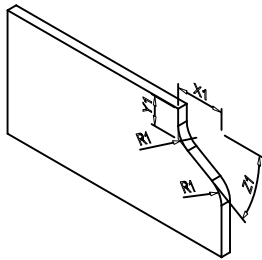
End detail code: 0116



End detail code: 0117



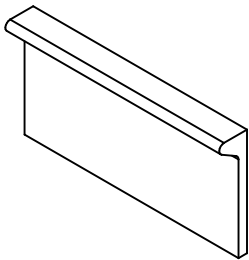
End detail code: 0118



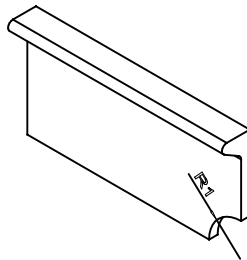
End detail code: 0120

---

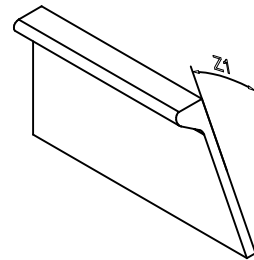
## Holland profile



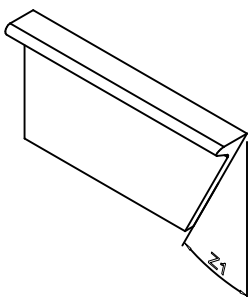
End detail code: 0201



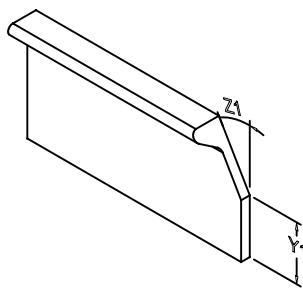
End detail code: 0202



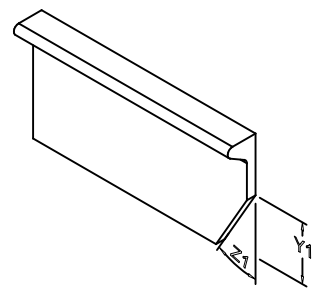
End detail code: 0203



End detail code: 0204

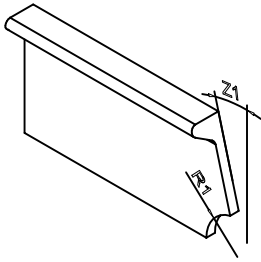


End detail code: 0205

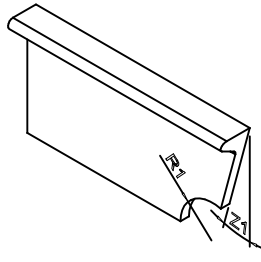


End detail code: 0206

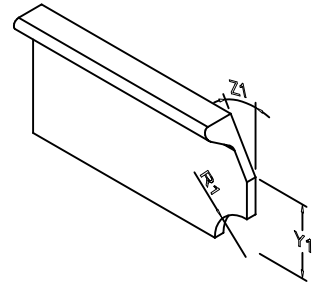
# Stiffener End Details



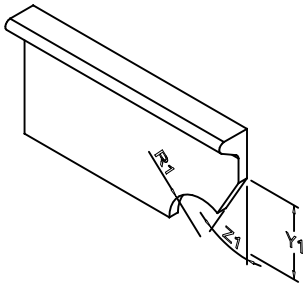
End detail code: 0207



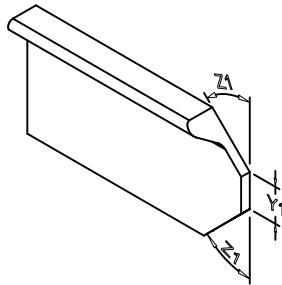
End detail code: 0208



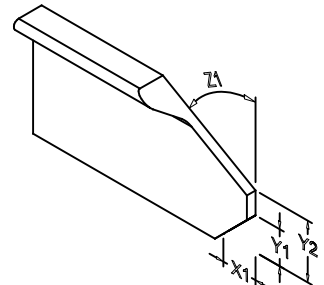
End detail code: 0209



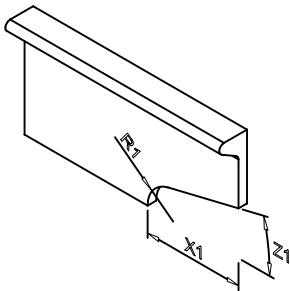
End detail code: 0210



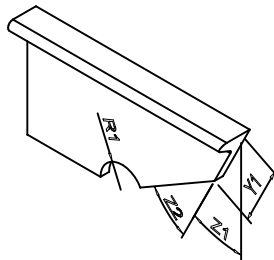
End detail code: 0211



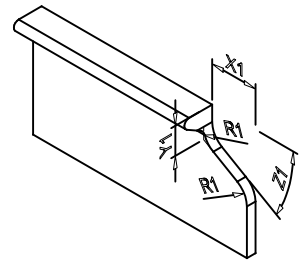
End detail code: 0212



End detail code: 0216

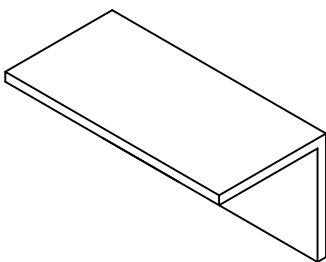


End detail code: 0219

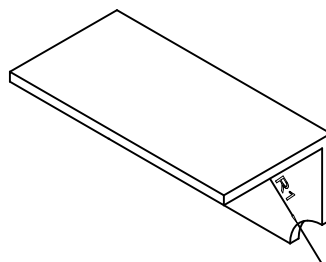


End detail code: 0220

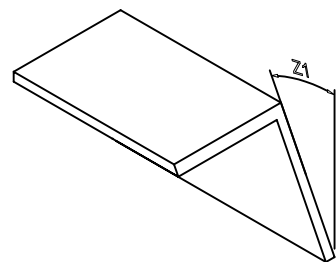
Angle bar



End detail code: 0301

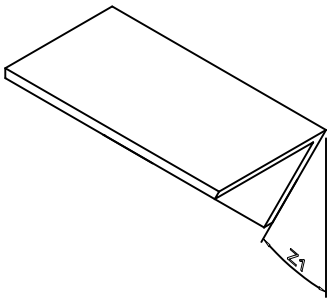


End detail code: 0302

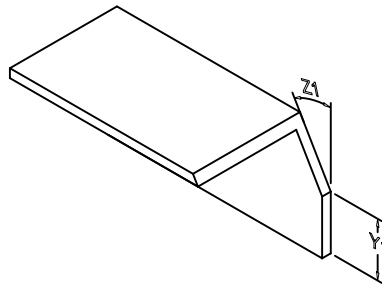


End detail code: 0303

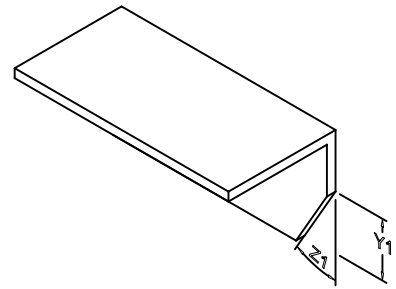
# Stiffener End Details



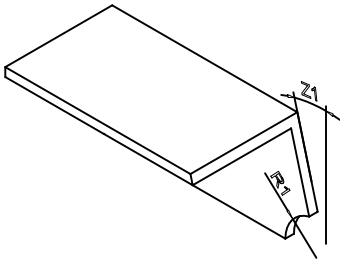
End detail code: 0304



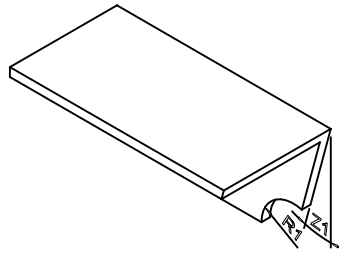
End detail code: 0305



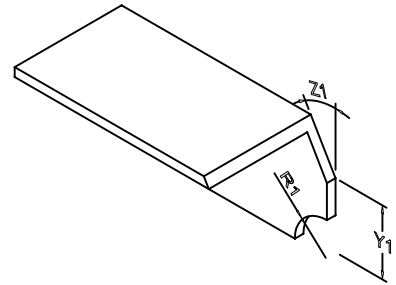
End detail code: 0306



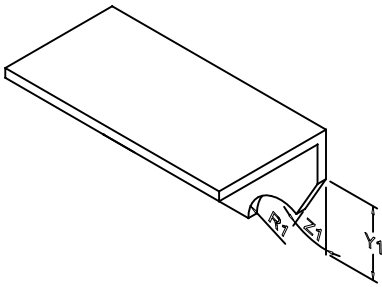
End detail code: 0307



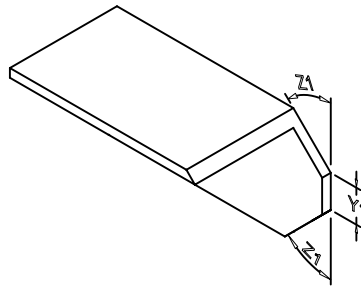
End detail code: 0308



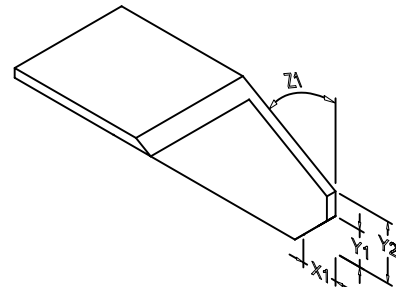
End detail code: 0309



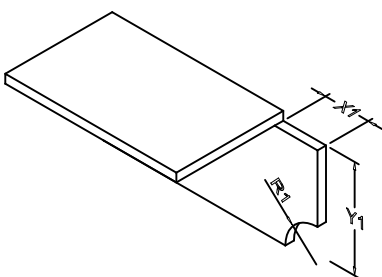
End detail code: 0310



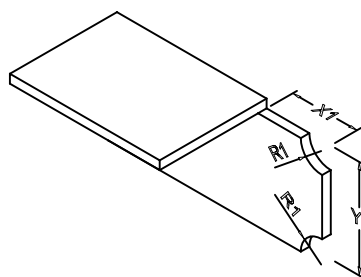
End detail code: 0311



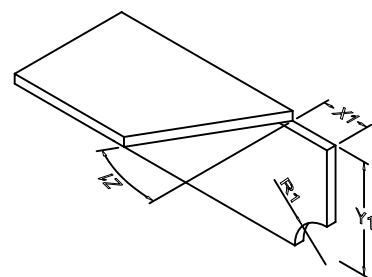
End detail code: 0312



End detail code: 0350

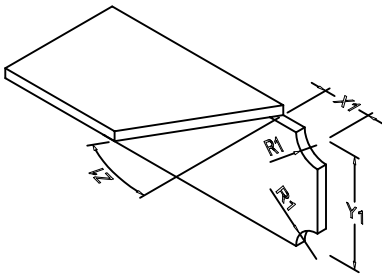


End detail code: 0351

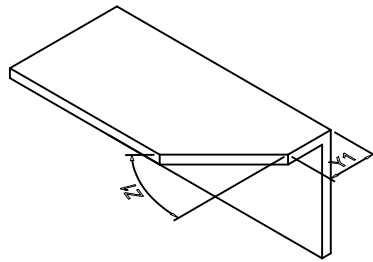


End detail code: 0352

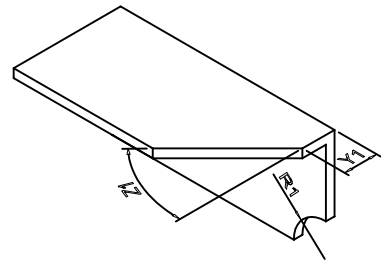
# Stiffener End Details



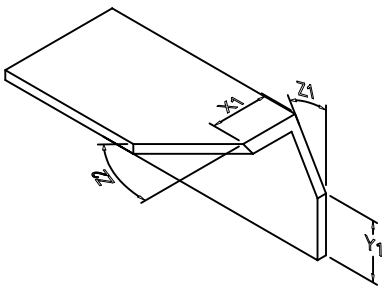
End detail code: 0353



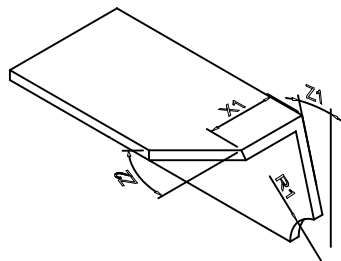
End detail code: 0354



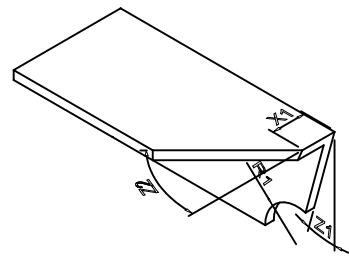
End detail code: 0355



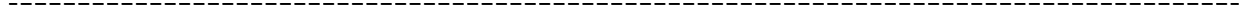
End detail code: 0356



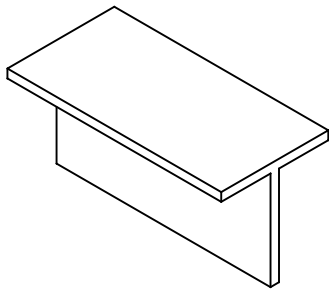
End detail code: 0357



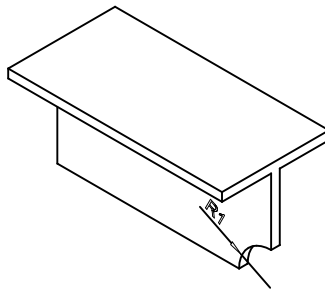
End detail code: 0358



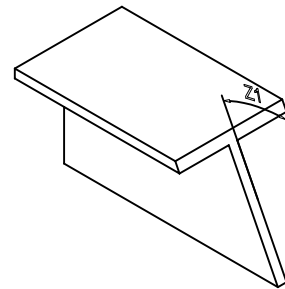
## T-Bar



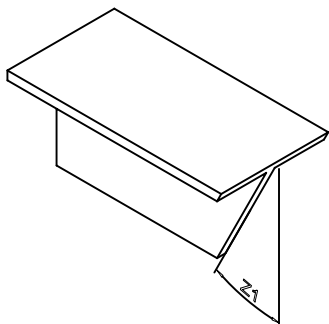
End detail code: 0401



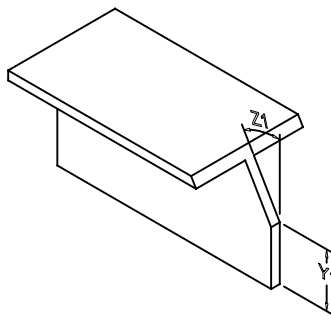
End detail code: 0402



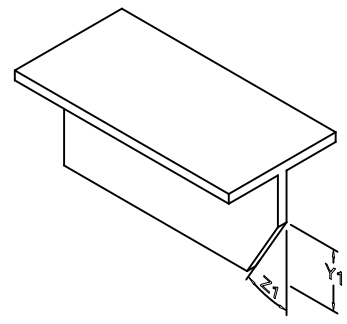
End detail code: 0403



End detail code: 0404

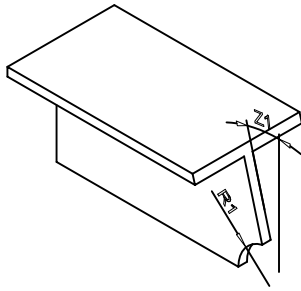


End detail code: 0405

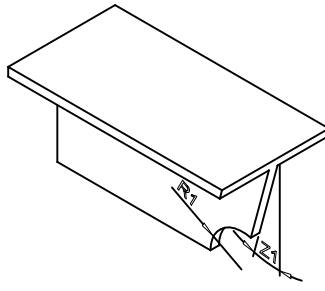


End detail code: 0406

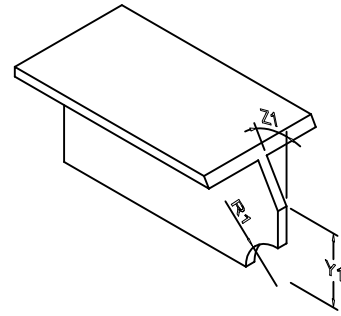
# Stiffener End Details



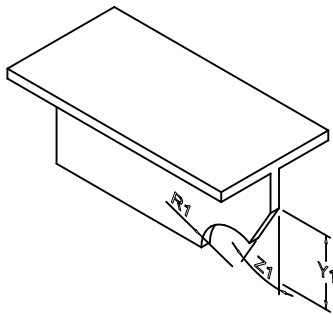
End detail code: 0407



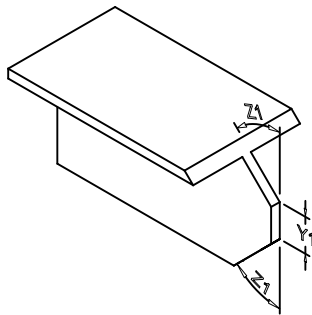
End detail code: 0408



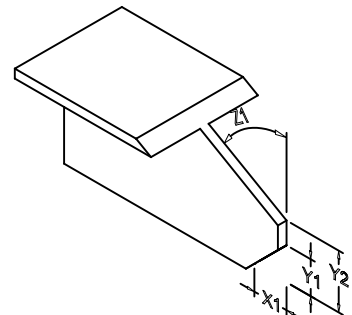
End detail code: 0409



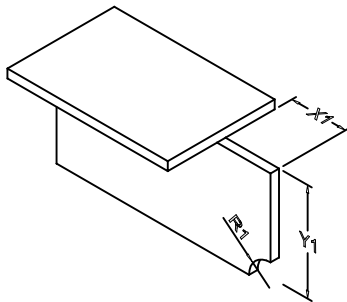
End detail code: 0410



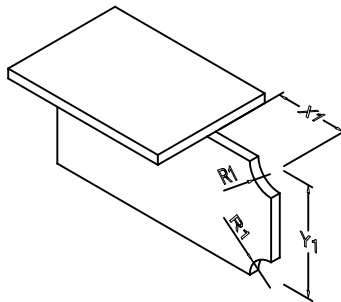
End detail code: 0411



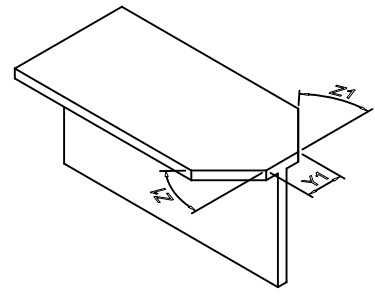
End detail code: 0412



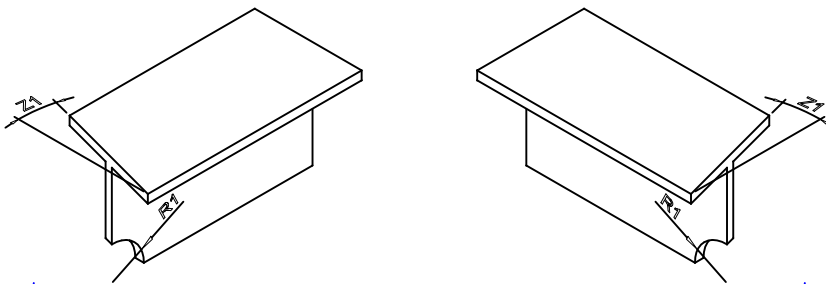
End detail code: 0450



End detail code: 0451

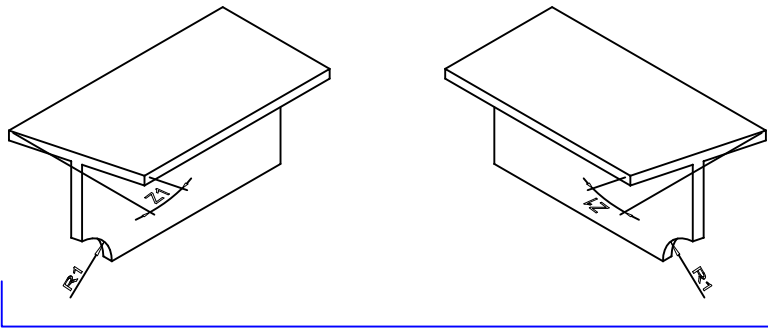


End detail code: 0459

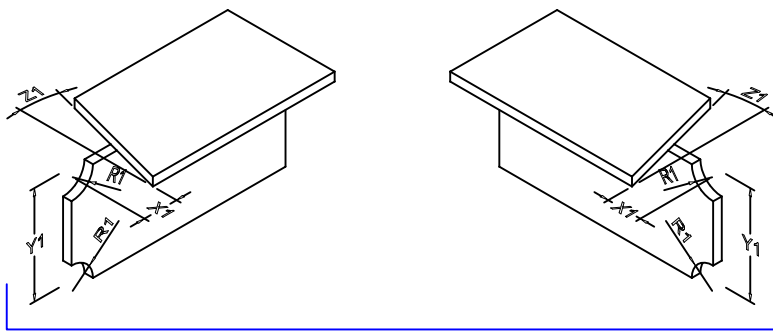


End detail code: 0460

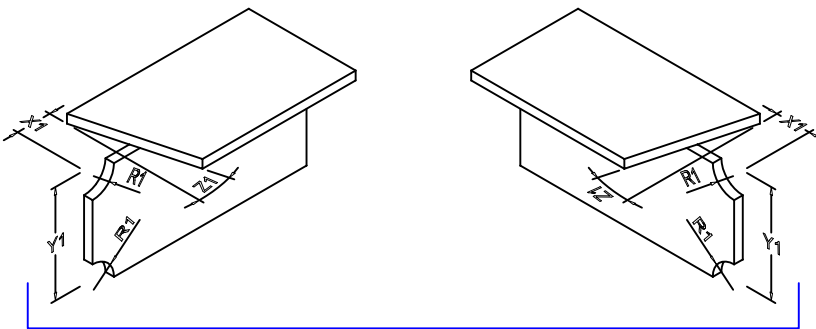
# Stiffener End Details



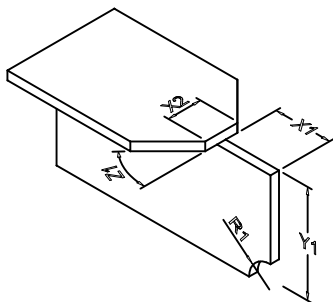
End detail code: 0461



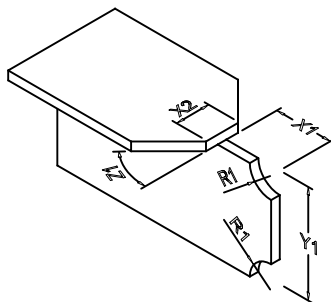
End detail code: 0462



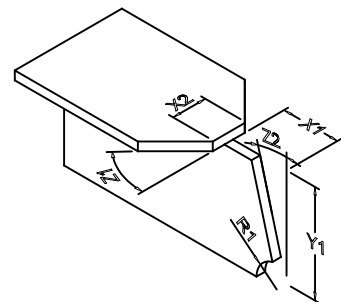
End detail code: 0463



End detail code: 0464

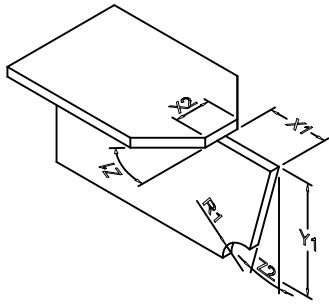


End detail code: 0465

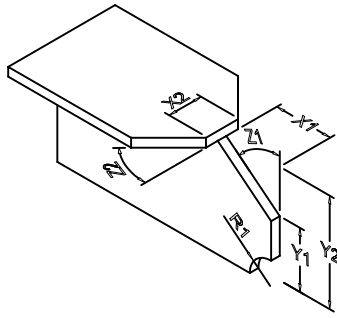


End detail code: 0466

# Stiffener End Details



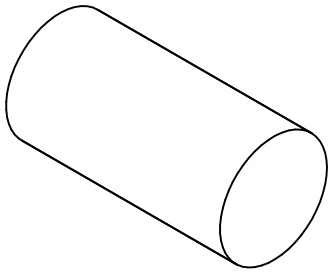
End detail code: 0467



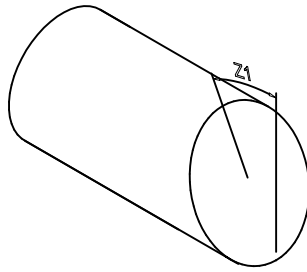
End detail code: 0468

---

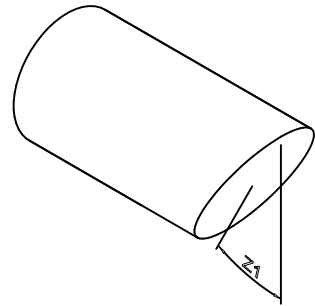
## Round bar



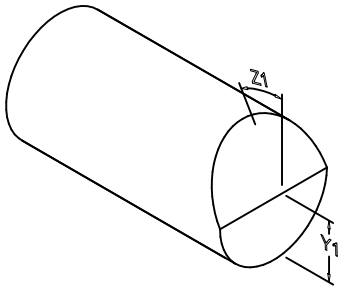
End detail code: 0501



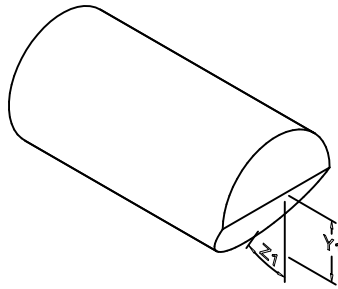
End detail code: 0503



End detail code: 0504



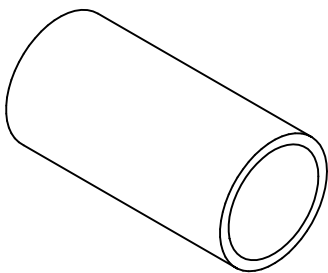
End detail code: 0505



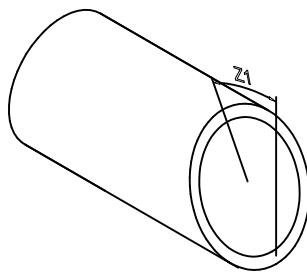
End detail code: 0506

---

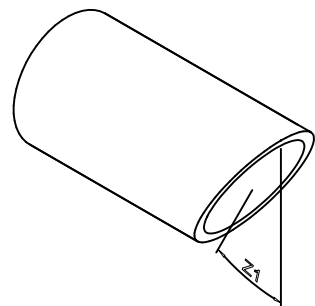
## Pipe



End detail code: 0601

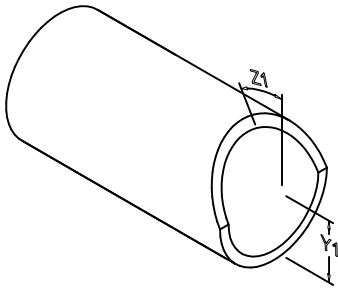


End detail code: 0603

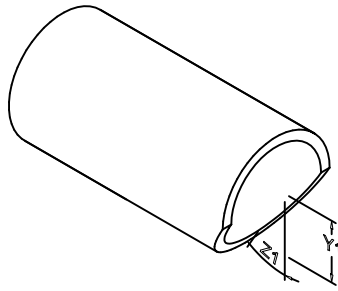


End detail code: 0604

# Stiffener End Details



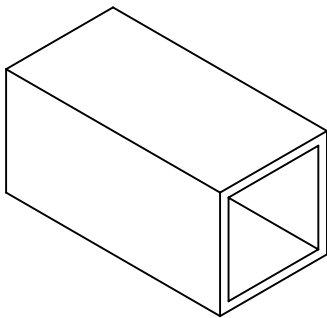
End detail code: 0605



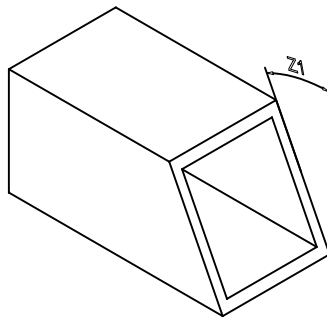
End detail code: 0606

---

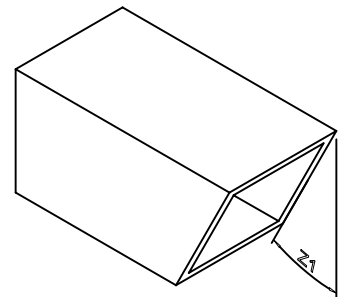
## Box profile



End detail code: 0701



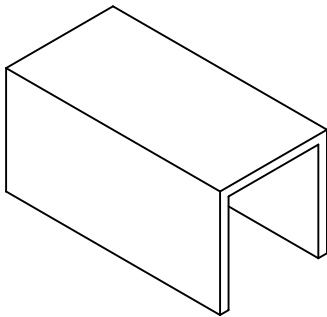
End detail code: 0703



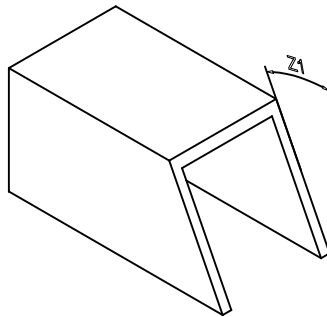
End detail code: 0704

---

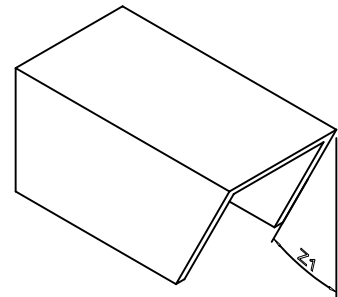
## Channel Bar



End detail code: 0801



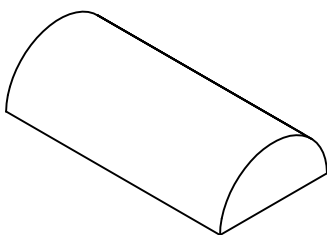
End detail code: 0803



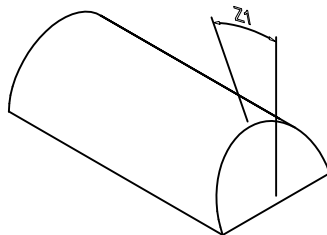
End detail code: 0804

---

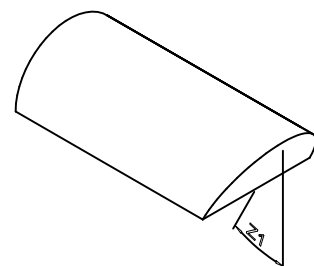
## Half round bar



End detail code: 0901



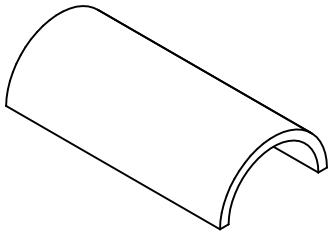
End detail code: 0903



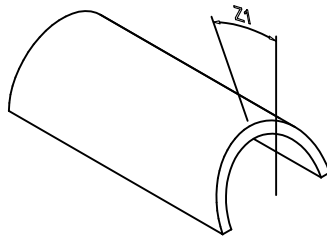
End detail code: 0904

# Stiffener End Details

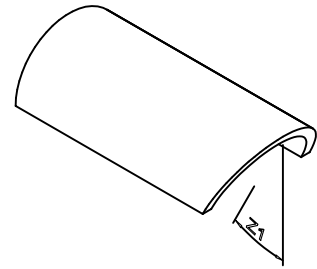
## Half pipe



End detail code: 1001



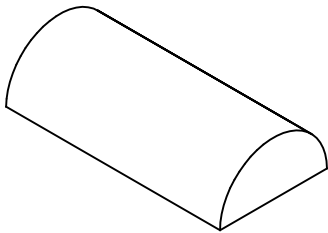
End detail code: 1003



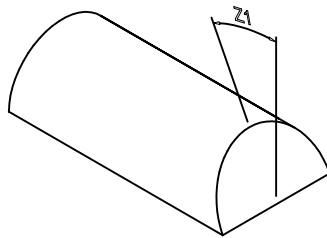
End detail code: 1004

---

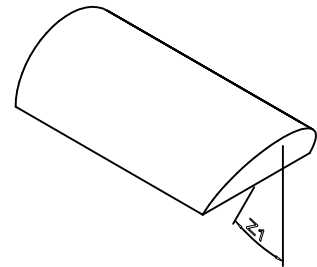
## Flat half round bar



End detail code: 1101



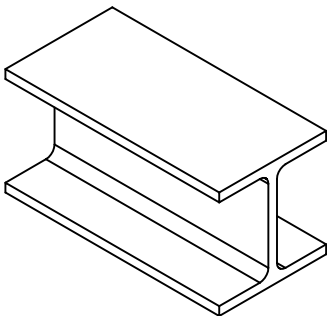
End detail code: 1103



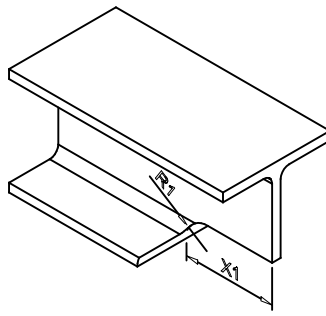
End detail code: 1104

---

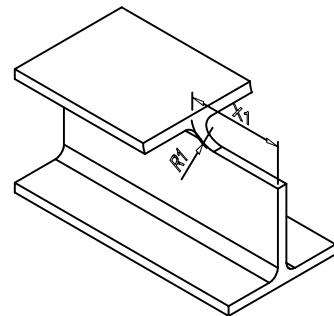
## I-Profile



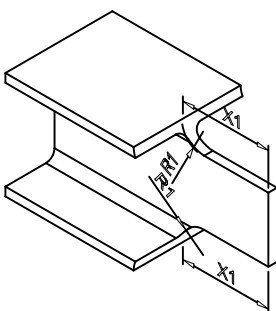
End detail code: 1201



End detail code: 1213



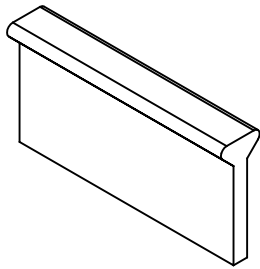
End detail code: 1214



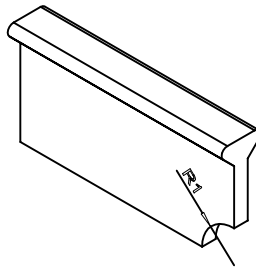
End detail code: 1215

# Stiffener End Details

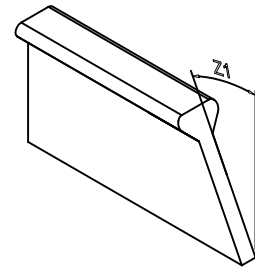
Double bulb



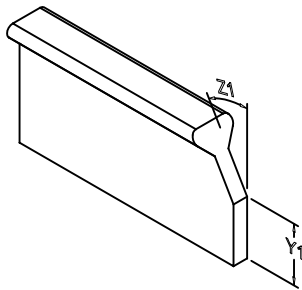
End detail code: 1501



End detail code: 1502



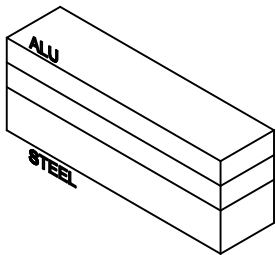
End detail code: 1503



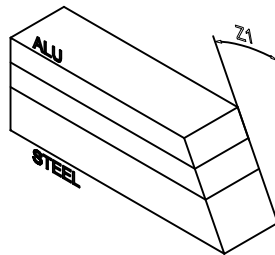
End detail code: 1505

---

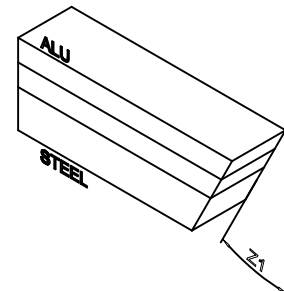
Triclad



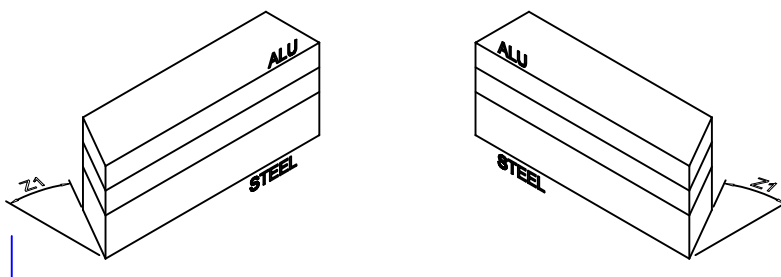
End detail code: 1601



End detail code: 1603

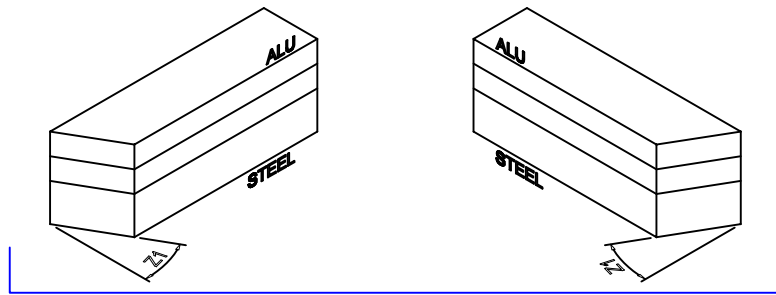


End detail code: 1604



End detail code: 1680

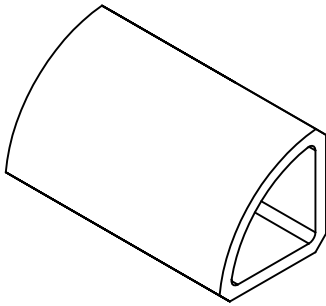
## Stiffener End Details



End detail code: 1681

---

Quarter round bar



End detail code: 1701